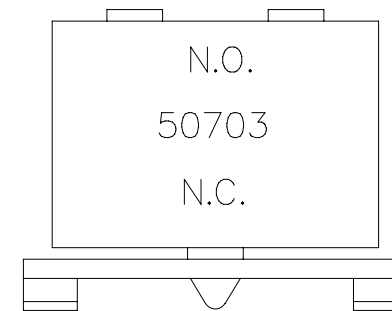
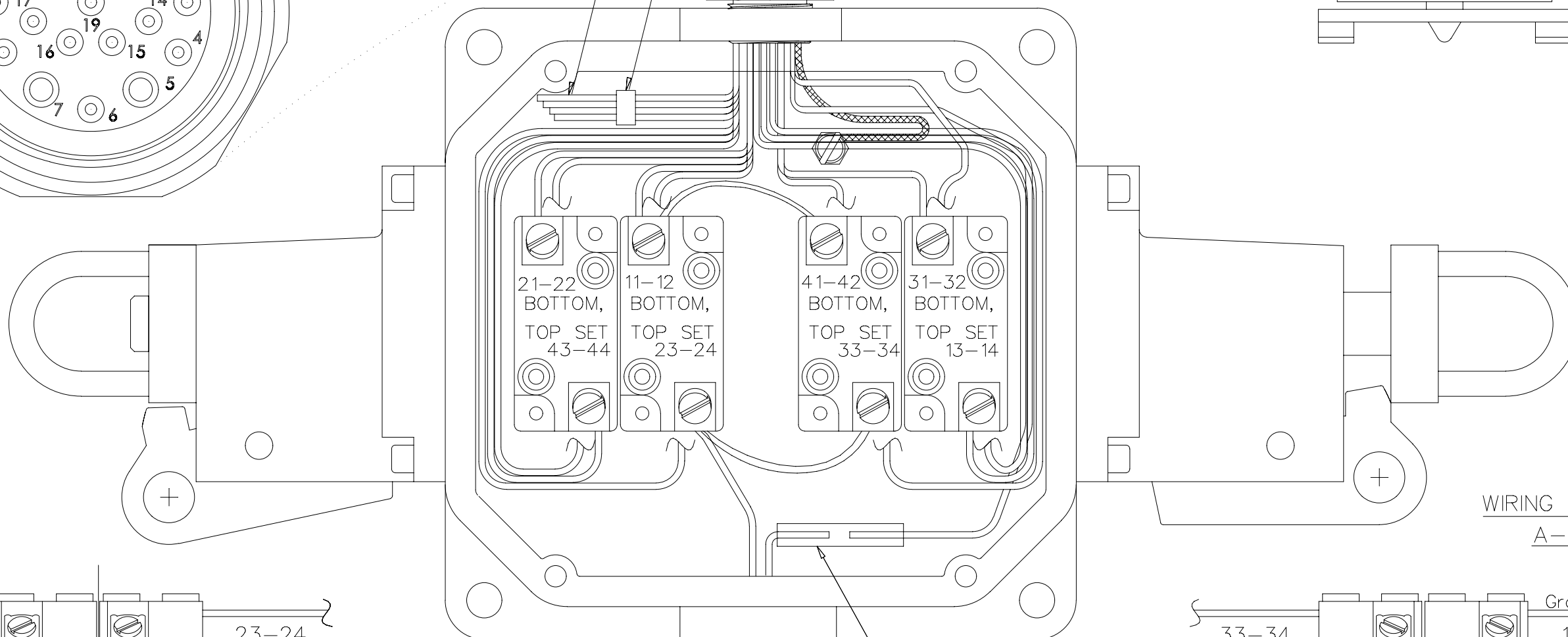


01006-010 SHRINK TUBE (1)
01006-011 SHRINK TUBE (4)

19 PIN
CONNECTOR
80507-145



NOT MBB



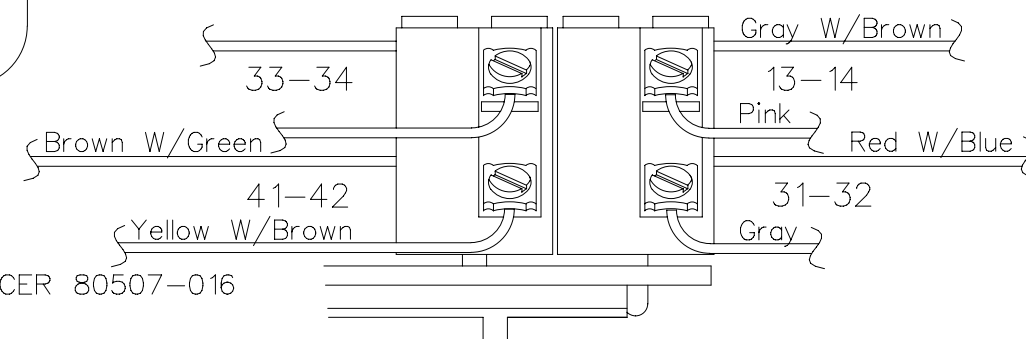
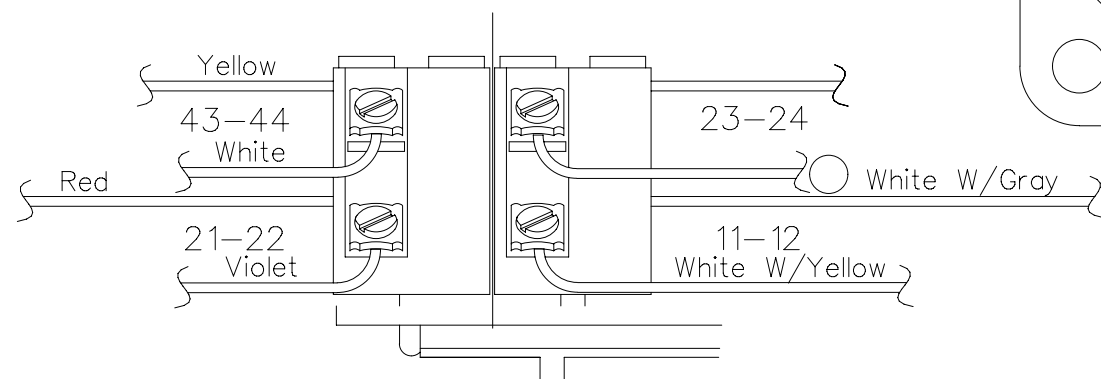
21-22
BOTTOM,
TOP SET
43-44

11-12
BOTTOM,
TOP SET
23-24

41-42
BOTTOM,
TOP SET
33-34

31-32
BOTTOM,
TOP SET
13-14

WIRING DIAGRAM SHOWN
A-94954-244



BUTT SPLICER 80507-016

REVISIONS
6-11-2008 GLH RELEASED EGN 08021

REES, INC.

PO BOX 652, FREMONT, IN 46737

WIRING DIAGRAM, 94954-204

MATERIAL

TOLERANCES
UNLESS OTHERWISE SPECIFIED
.XX = +/- .01
.XXX = +/- .005
ANGLES = +/- 1°

DRN BY GLH
DATE 3-11-2008
CHK'D BY

PART NO 94954-244
DWG NO B 94954
SCALE SHT NO 244

PN-308